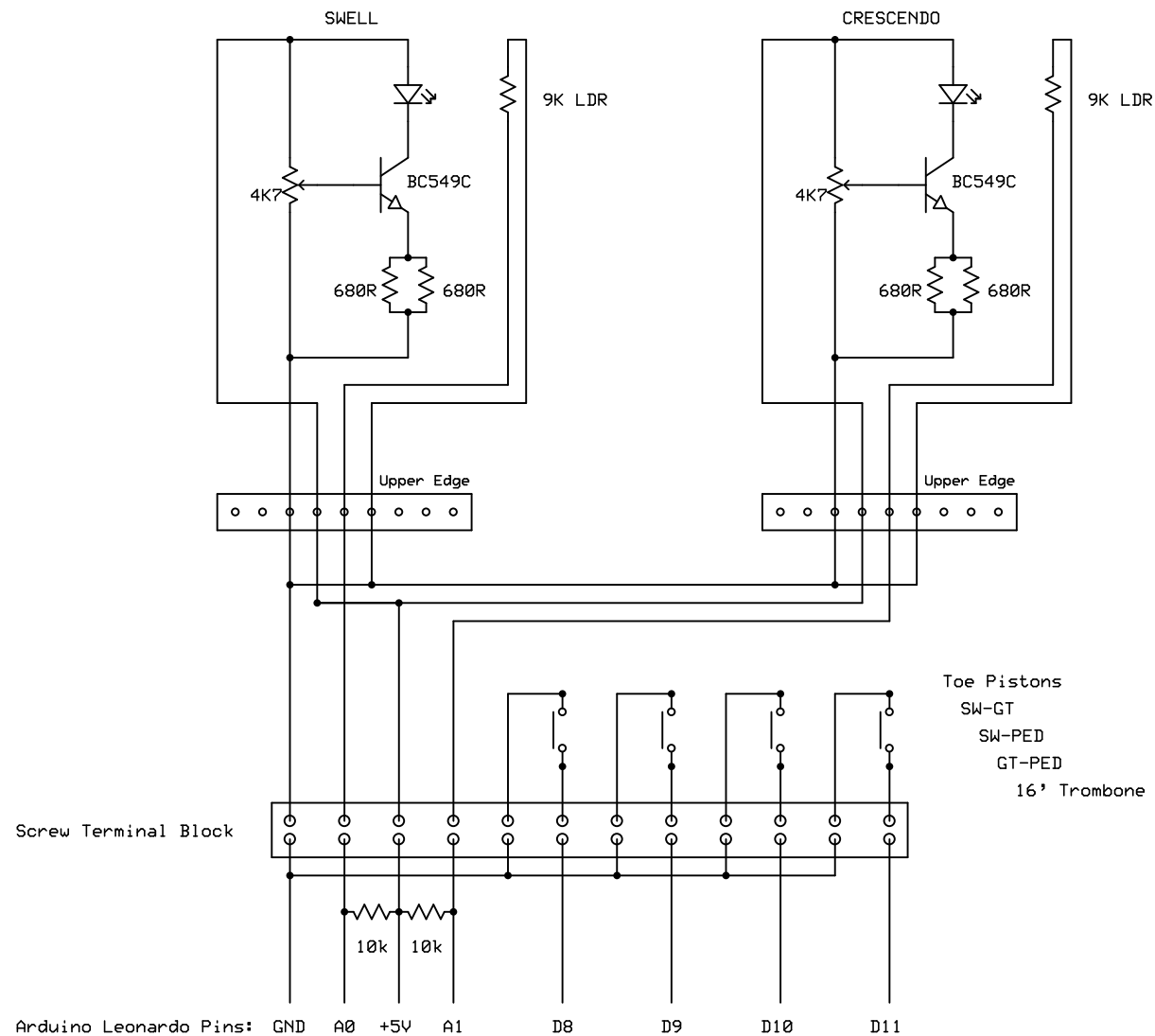


As found Swell potentiometer was set about 1K7 from bottom
 LED current would then be around 3.5mA with 5V supply
 Measured total board current @ 5V = 3.6mA
 Swell open LDR = 16K, closed = 2.5K



Hauptwerk Conversion		
Swell Pedals, Toe Pistons		
John Harvey	Rev 1.0	Page 1 of 1
	11/09/2017	